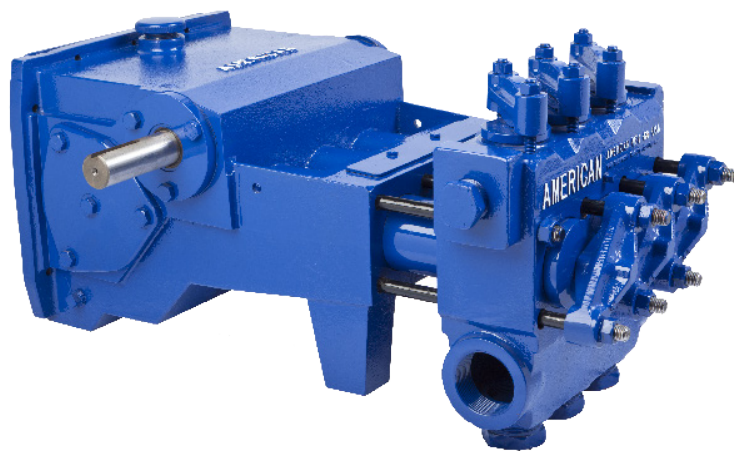




AL11 Piston Pump Data

37 BHP Continuous Duty (52 BHP Intermittent Duty)



Specifications

Pump Model	AL1118, AL1122
Configuration	Horizontal Triplex Piston
Number of Pistons	3
Stroke Length	2.75 Inches (69.9 mm)
Frame Load Rating	6000 lbs. (2.724 kg)
Pump Weight	460 lbs. (209 kg)
Direction of Rotation	Top of Shaft away from head
Internal Gear Rotation	3.6:1
Intermittent Duty Speed Rating	1,275 RPM (Jackshaft)
Continuous Duty Speed Rating	900 RPM (Jackshaft)
Ball Valve Max Speed Rating	690 RPM (Jackshaft)
Minimum Speed	360 RPM
Mechanical Efficiency	85%
Lubrication System	Splash, Gravity Return
Lube Oil Capacity	1 Gallon
Lube Oil Type	SAE 30
Maximum Fluid Temperature	140°F (250° Capability)
Minimum Fluid Temperature	0°F (-20° Capability)
Standard Suction Size	2.50 Inch NPT (63.5 mm)
Standard Discharge Size	1.25 Inch NPT (31.8 mm)
Fluid End Material	Ductile Iron
Valve Type	Disc Valves/ Ball Valves
Hydraulic Motor Mount	SAE C - 4 Bolt with 1.25"-14T

Performance Rating

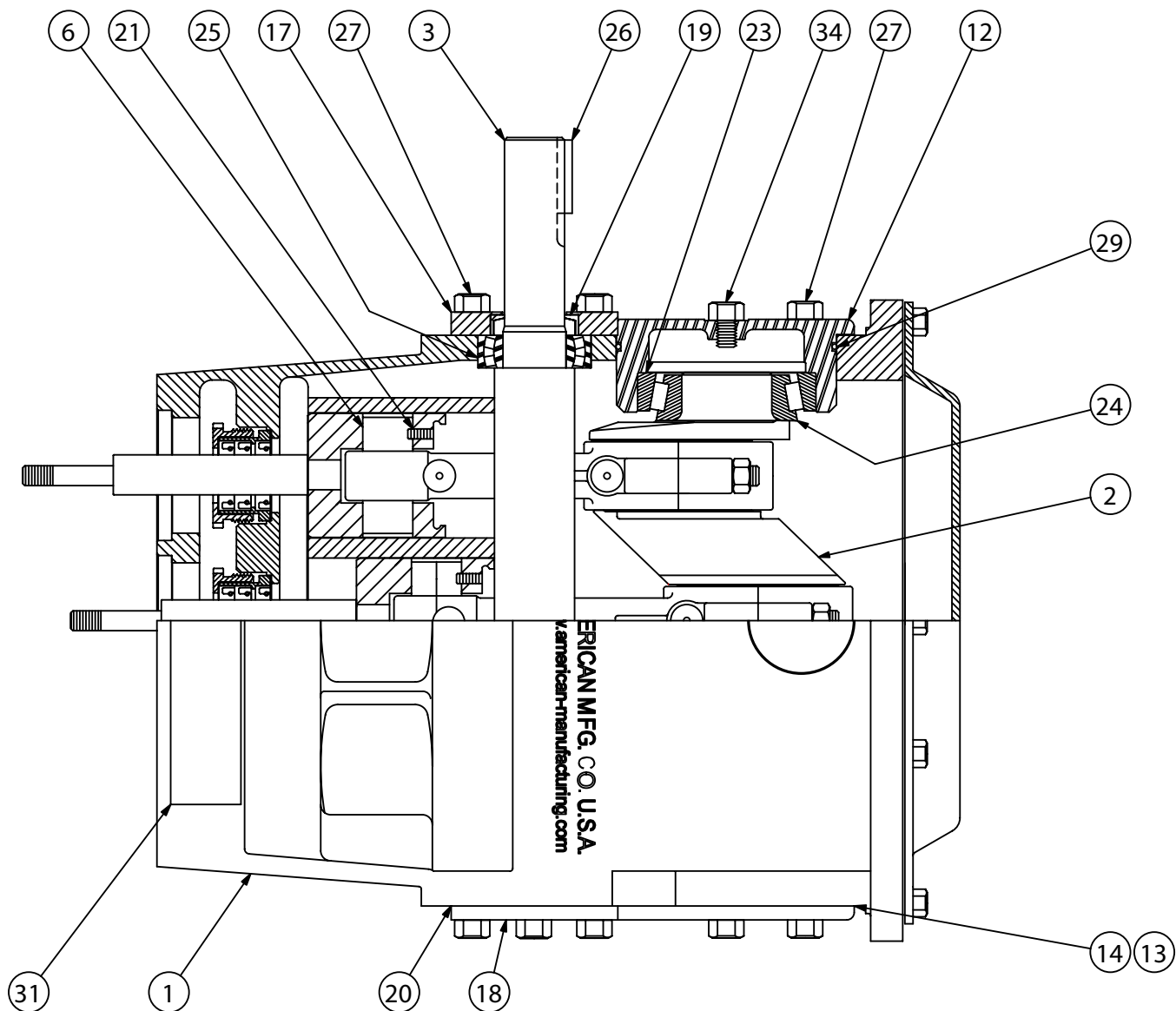
Pump Model	Piston		Displacement/REV		Maximum Pressure		Pump Capacity @ Input Speed (RPM)									
							350 RPM		690 RPM		800 RPM		900 RPM		1275 RPM	
							Inch	mm	Gallon	Liter	PSI	kg/cm ²	gpm	lpm	gpm	lpm
AL1118	2.25	57.2	0.0394	0.149	1,500	105.5	13.8	52.2	27.2	102.9	31.6	119.6	35.5	134.4	50.3	190.4
AL1122	2.75	69.9	0.0589	0.223	1,000	70.3	20.6	78	40.7	154	47.1	179	53	201	75.1	285

Specifications subject to change without notice.

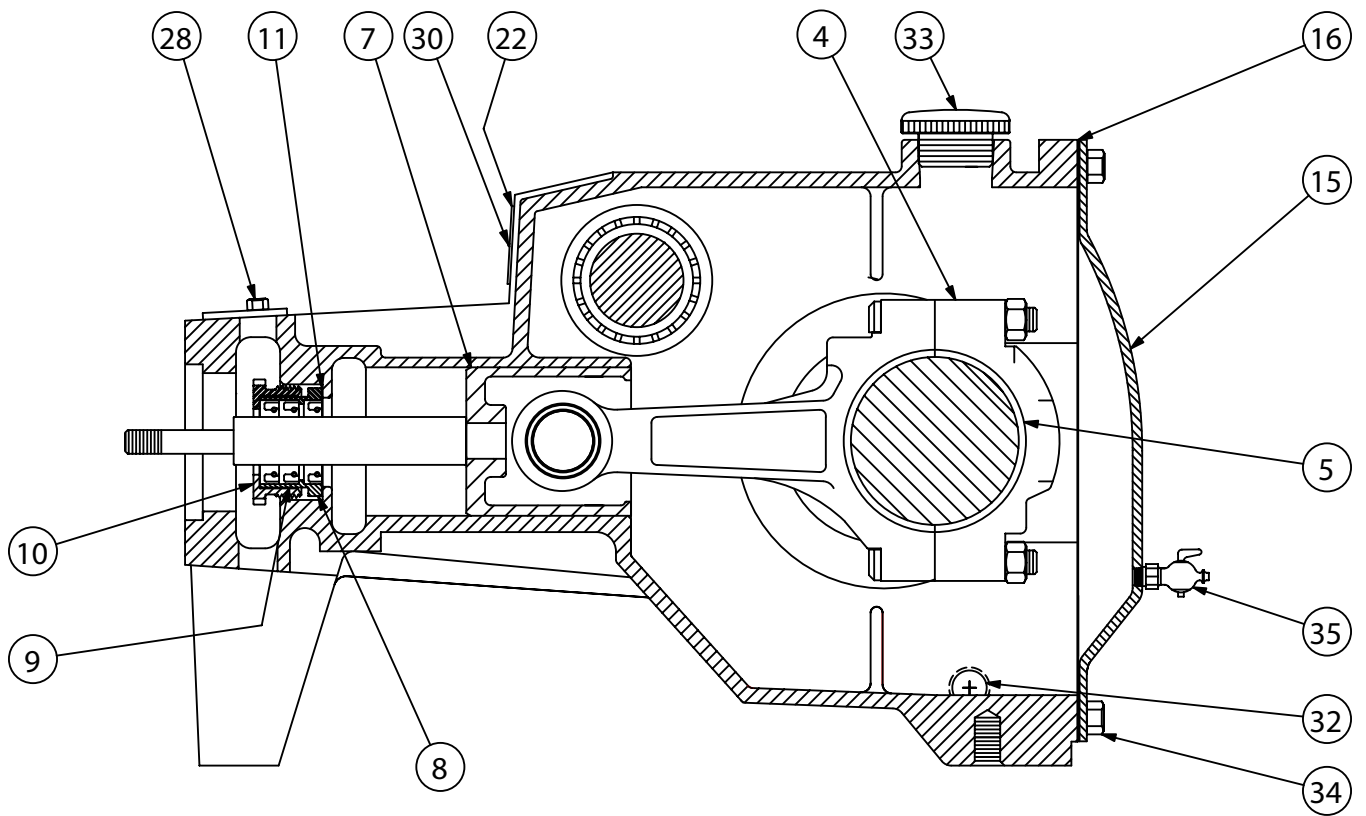
Horsepower is based on 85 or 90% efficiency. Actual application horsepower requirements can be calculated using this equation: $BHP = (GPM * PSI) / (1714 * 0.85 \text{ or } 0.90)$ Pump capacities listed are based on 100% volumetric efficiency.

This document contains American Mfg Company proprietary and confidential information. It is loaned for limited purposes only and remains the property of American Mfg Company. It may not be reproduced in whole or part or disclosed to third parties without the prior written consent of American Mfg Company. The document is to be returned to American Mfg Company upon request and in all events upon completion of the use for which it was used.

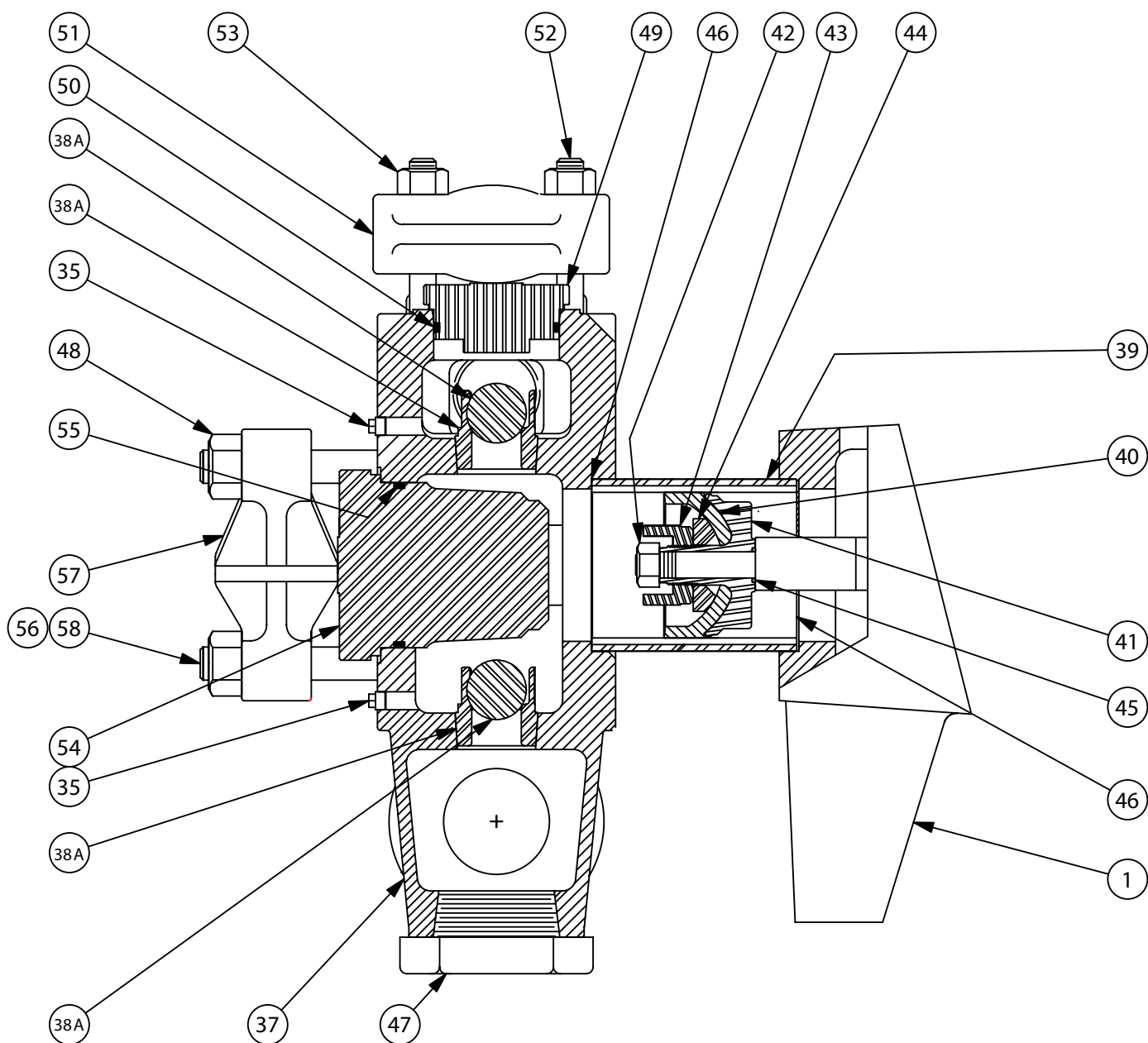




Power End Components



Power End Components



Fluid End AL1122BCD: Components

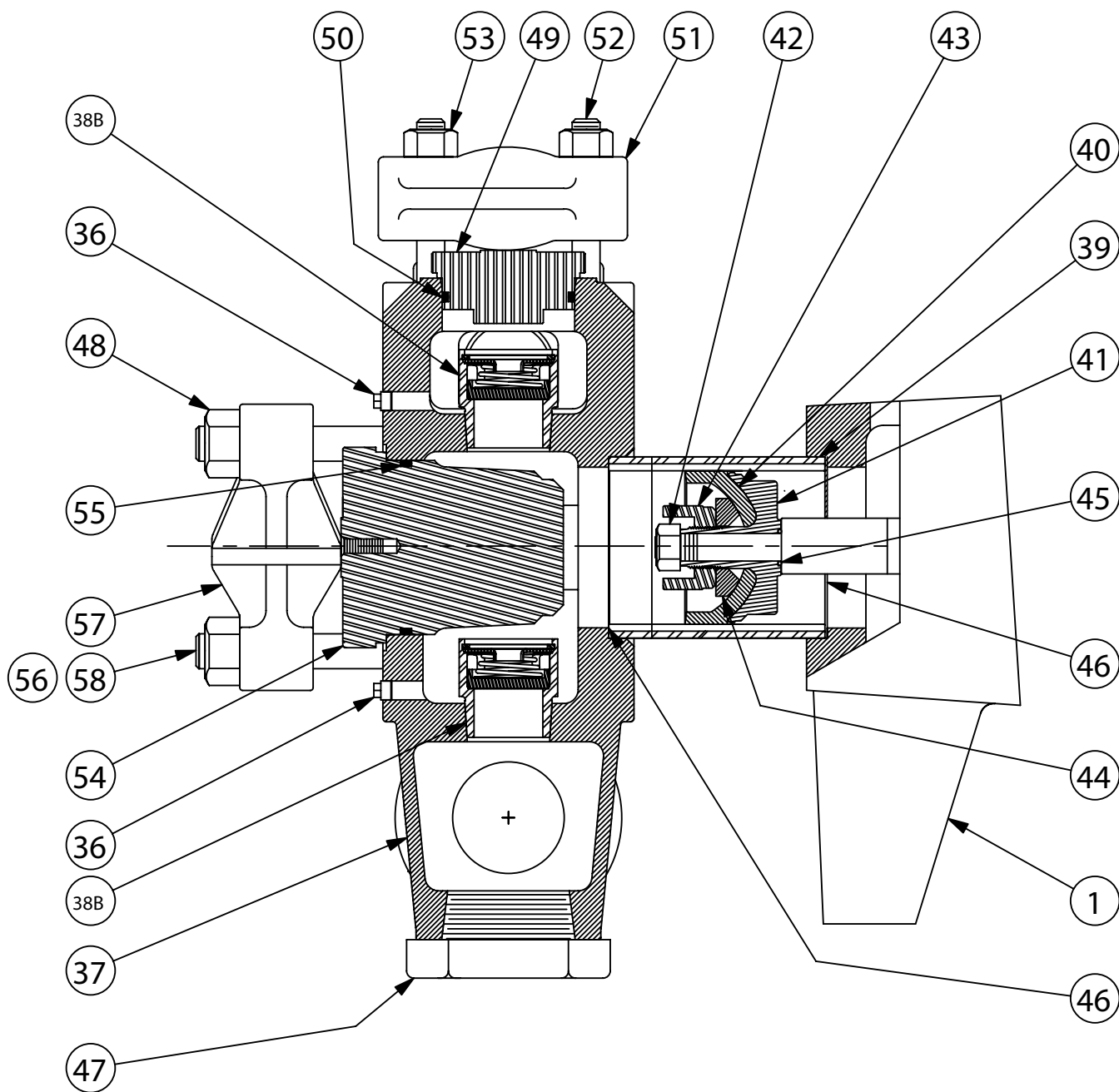


Figure Pump AL1122D: Fluid End Components

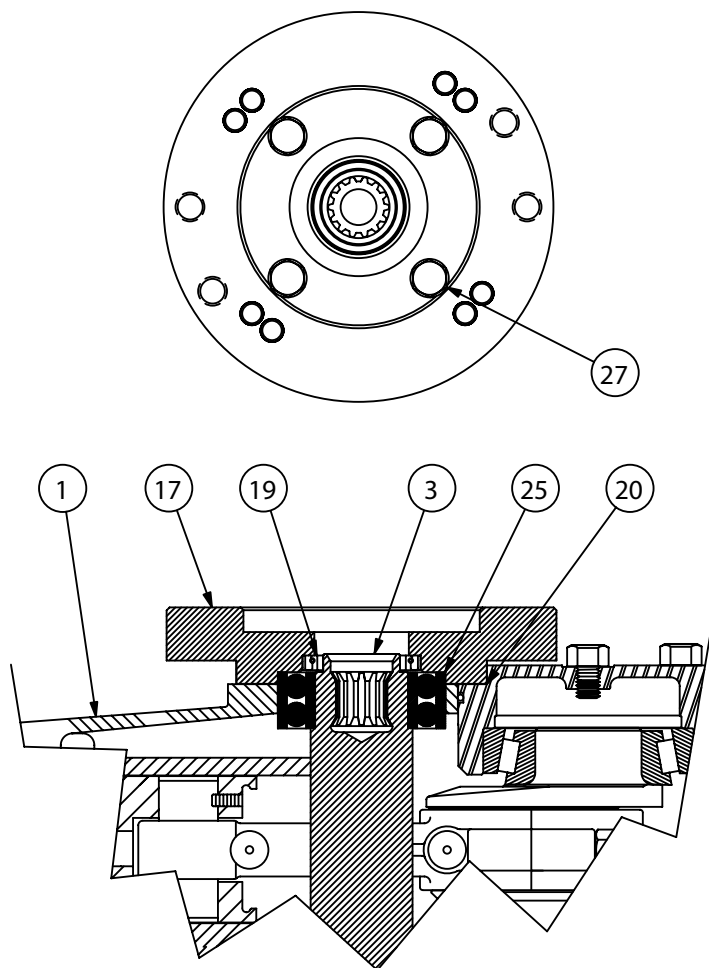
AL1122 Component Item Numbers

Item #	Component Description	Part #	Qty
1	Power Frame	PPFMC 5257698	1
2	Crankshaft	PPFMC 1285094	1
3	Pinion Shaft	PPFMC P511596	1
4	Connecting Rod Assembly	PPFMC 5266814	3
5	Rod Bearing	PPFMC P514965	3
6	Wrist Pin	PPFMC A91014	3
7	Crosshead Assembly	PPFMC 1252939	3
8	Seal Holder	PPFMC 3268369	3
9	Oil Seal, Piston Rod	PPFMC 1177489	9
10	Seal Retainer Nut	PPFMC 1266323	3
11	Gasket, Seal Retainer	PPFMC 3268418	3
12	Bearing Housing, Blind	PPFMC 1248369	2
13	Shim, Bearing Housing	PPFMC 1252595	6
14	Gasket, Bearing Housing	PPFMC A91675	2
15	Back Cover	PPFMC P508969	1
16	Gasket, Back Cover	PPFMC P508966	1
17	Pinion Housing, Drive	PPFMC 5257338	1
18	Pinion Housing, Blind	PPFMC P508916	1
19	Oil Seal, Rotating	PPFMC 5257339	1
20	Gasket, Pinion	PPFMC A91674	2
21	Screw Set	PPFMC 1182004	3
22	Name Plate*	PPAM A000440000	1
22	Name Plate**	PPAM A000438000	
23	Bearing Cone, Crank	PPFMC 1177473	2
24	Bearing Cup, Crank	PPFMC 1177474	2
25	Bearing, Pinion	PPFMC P511746	2
26	Key	PPFMC 1104349	1
27	Cap screw, Pinion Bearing	PPFMC 1100054	12
28	Cap Screw	PPFMC 1100804	2
29	O-Ring	PPFMC 3226710	2

Item #	Component Description	Part #	Qty
30	Screw Self Tapping	PPFMC 1187413	2
31	Plate, Inspection	PPFMC 5260567	1
32	Pipe Plug, Power End	PPFMC 1187048	2
33	Filler Cap or Vent	PPFMC A5054	1
34	Screw	PPFMC 1106980	20
35	Petcock	PPFMC 1187039	1
36	Pipe Plug	PPFMC 1109973	4
37	Fluid Chamber	PPFMC 5257262	1
38A	Ball, Valve*	PPFMC 1101419	6
38A	Seat, Valve*	PPFMC 1284740	6
38B	Disc Valve Assembly**	PPFMC 5255419	6
39	Cylinder	PPFMC 1267586	3
40	Piston Cup	PPFMC A268N	3
41	Piston Holder	PPFMC A91663	3
42	Hex Nut	PPFMC 8309	3
43	Nut Retainer	PPFMC A5016	3
44	Piston Retainer	PPFMC 1216753	3
45	O-Ring, Rod Seal	PPFMC 1101176	3
46	Gasket, Fluid Cylinder	PPFMC 1279676	6
47	Plug, Suction	PPFMC 1105121	3
48	Hex Nut	PPFMC 1121513	8
49	Valve Cover	PPFMC 1283530	3
50	O-Ring Valve Cover	PPFMC 1181154	3
51	Clamp, Valve Cover	PPFMC 1247716	3
52	Stud, Valve Cover	PPFMC 1248372	6
53	Hex Nut, Valve Cover	PPFMC 1121511	6
54	Cylinder Cover	PPFMC 1283531	3
55	O-Ring Cylinder Cover	PPFMC 1177476	3
56	Stud, Fluid Cylinder	PPFMC 1248349	2
57	Clamp, Cylinder	PPFMC A80392	3
58	Stud, Cylinder Cover	PPFMC 5251859	6

* AL1122BCD

** AL1122D



Spline Shaft Components

Item #	Component Description	Part #	Qty
1	Power Frame	PPFMC 3269402	1
3	Pinion Shaft Splined	PPFMC 3269385	1
17	Motor Mounting Plate	PPFMC 3269351	1
19	Oil Seal	PPFMC 3269370	1
20	Gasket	PPFMC 3269398	2
25	Bearing	PPFMC 3269369	2
27	Screw	PPFMC 3268086	4

Spline Shaft Component Item Numbers