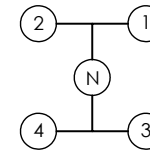
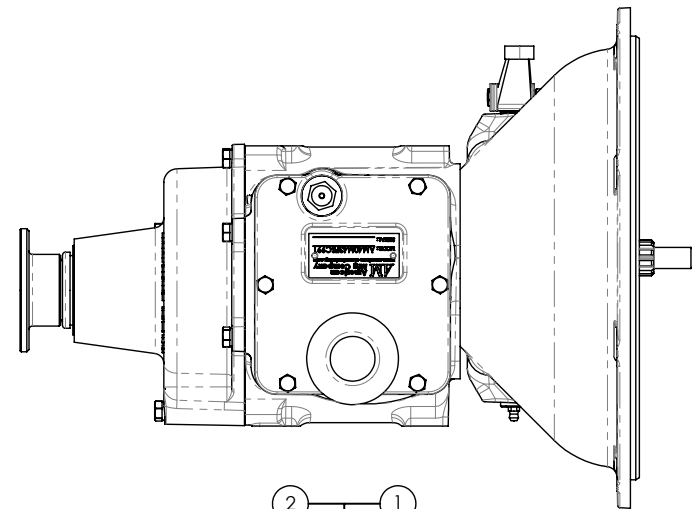
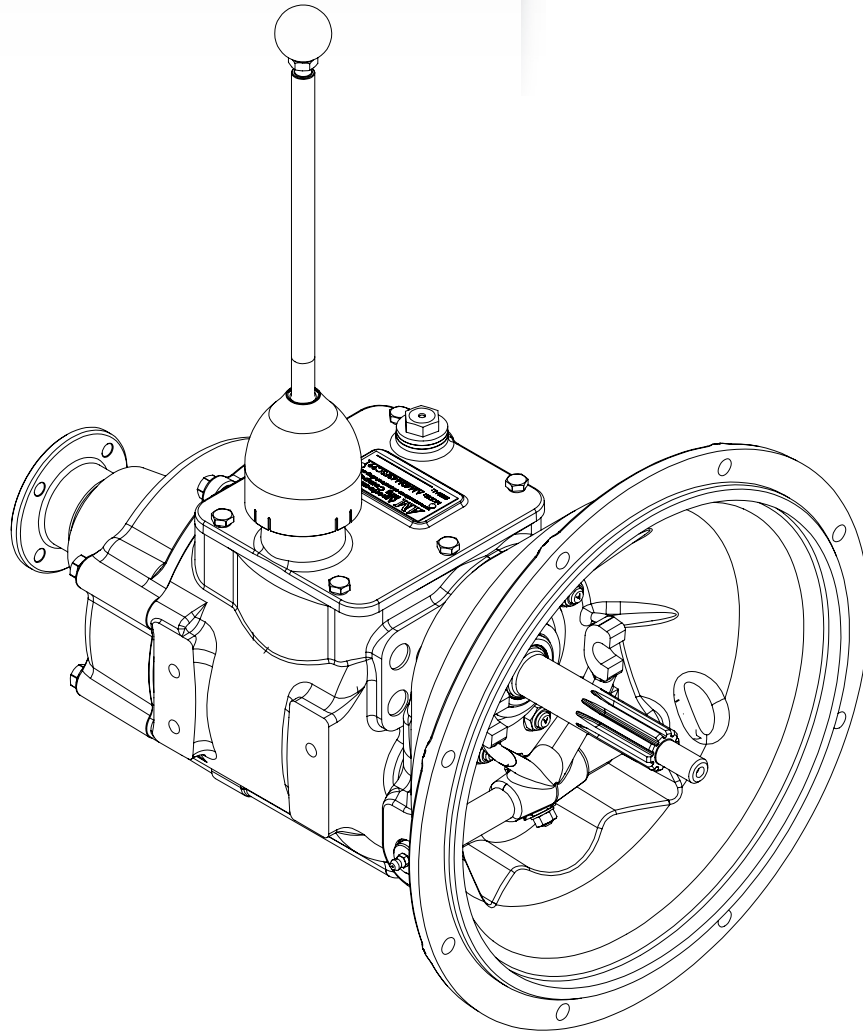


4 Speed Transmission - SAE 5



Transmission bell housing specification:

SAE 5 – Part number:
TPNA 40M43FSC991

Integral reduction gear with ratios approximately:

13:1, 9:1, 5:1 and 3:1

Clutch release lever can be left or right hand side

Specifications

Maximum Input Torque:	60 ft. lbs.
Maximum Input Speed:	3250 RPM
Speed:	4 Speed Forward
Approximate weight:	84 lbs.
Clutch size:	8 in. with 1" 10 - spline input
Transmission Spline Input:	1" 10 - spline input

Factory/Sales Office

P.O. Box 640
736 19th Avenue NE
St. Joseph, Minnesota 56374

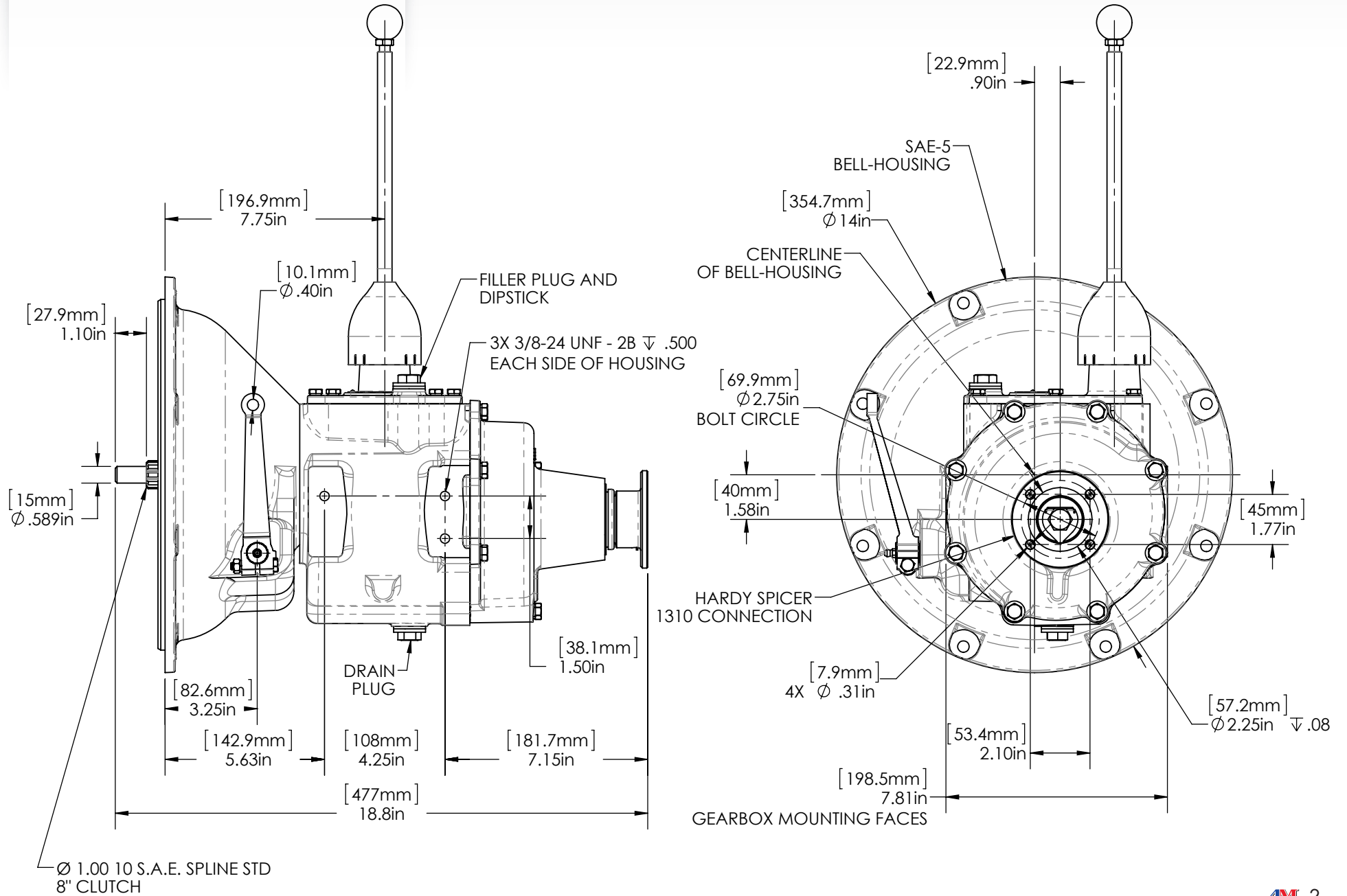
(888) 299-3412 ~ Toll Free
(320) 363-7274 ~ Fax
(320) 363-7273 ~ Phone

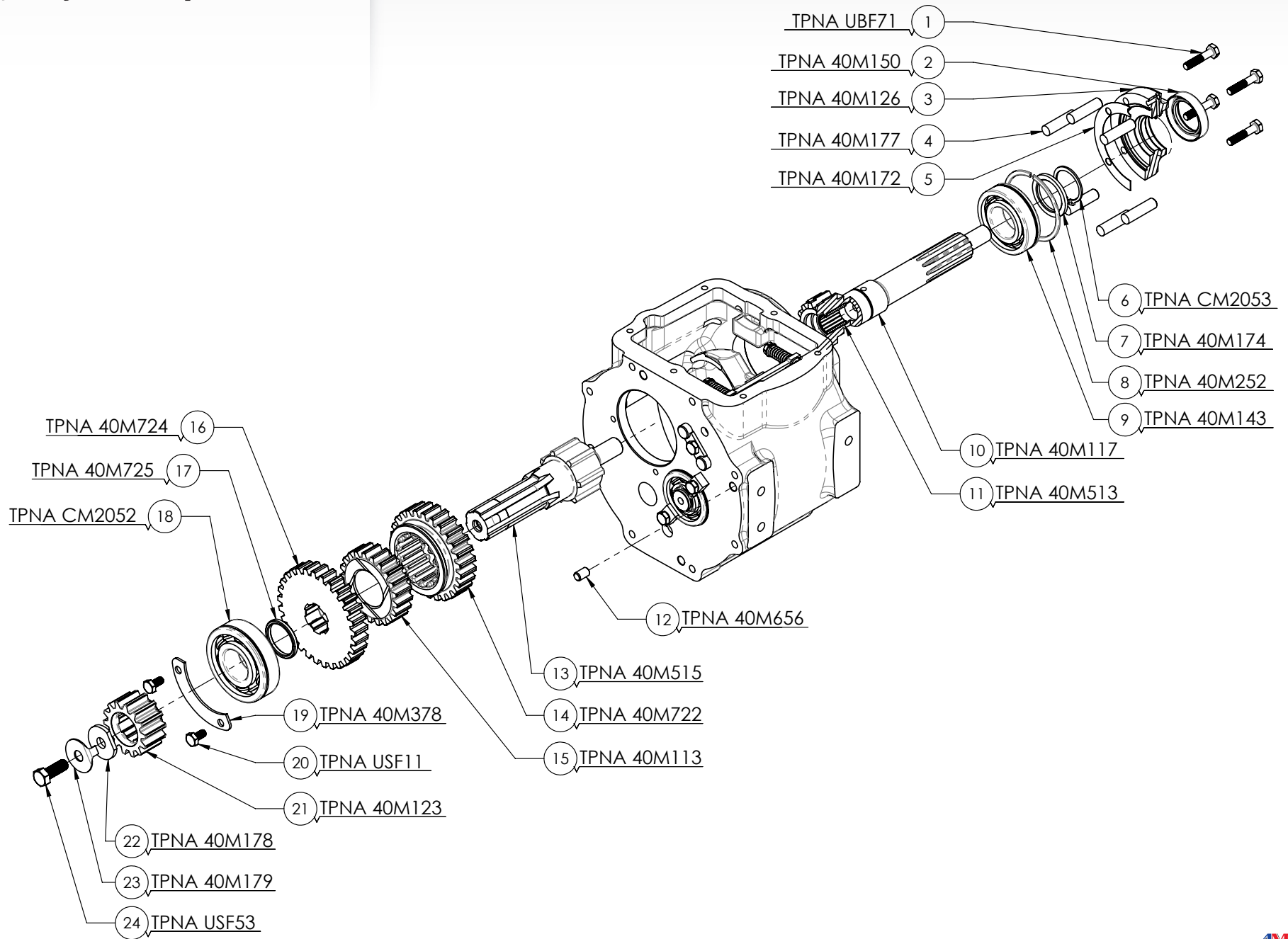
info@american-manufacturing.com
www.american-manufacturing.com

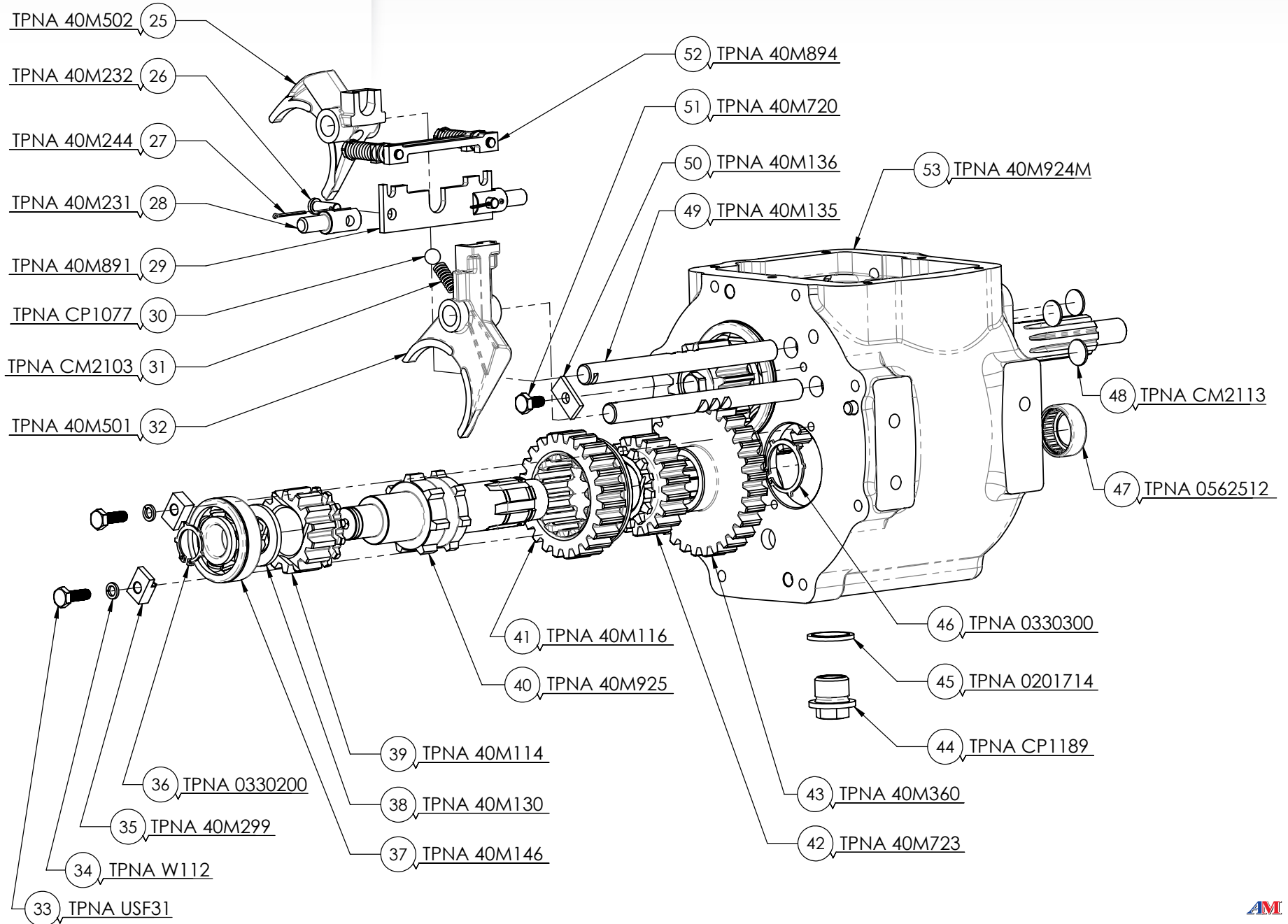


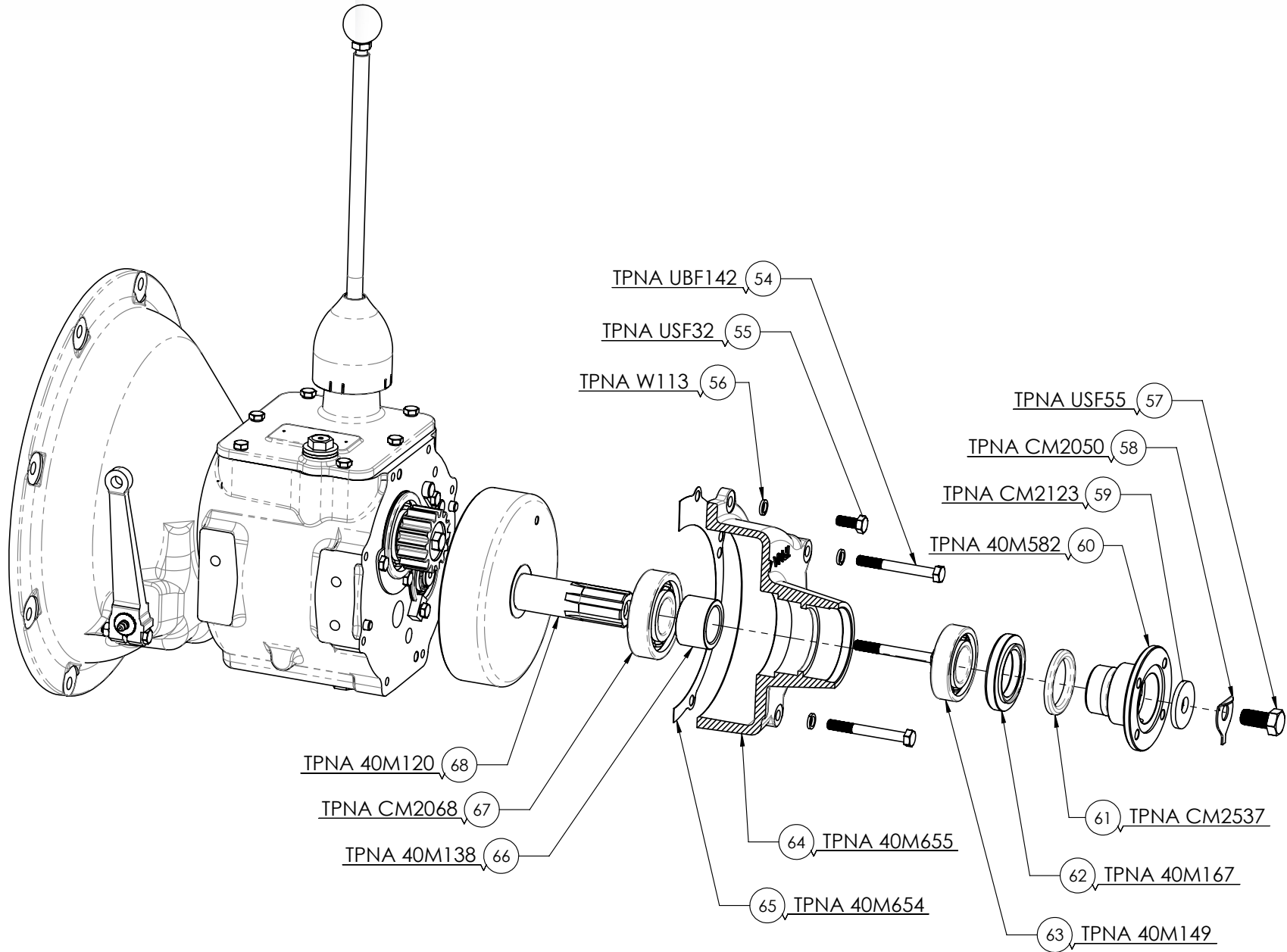
7k-0266

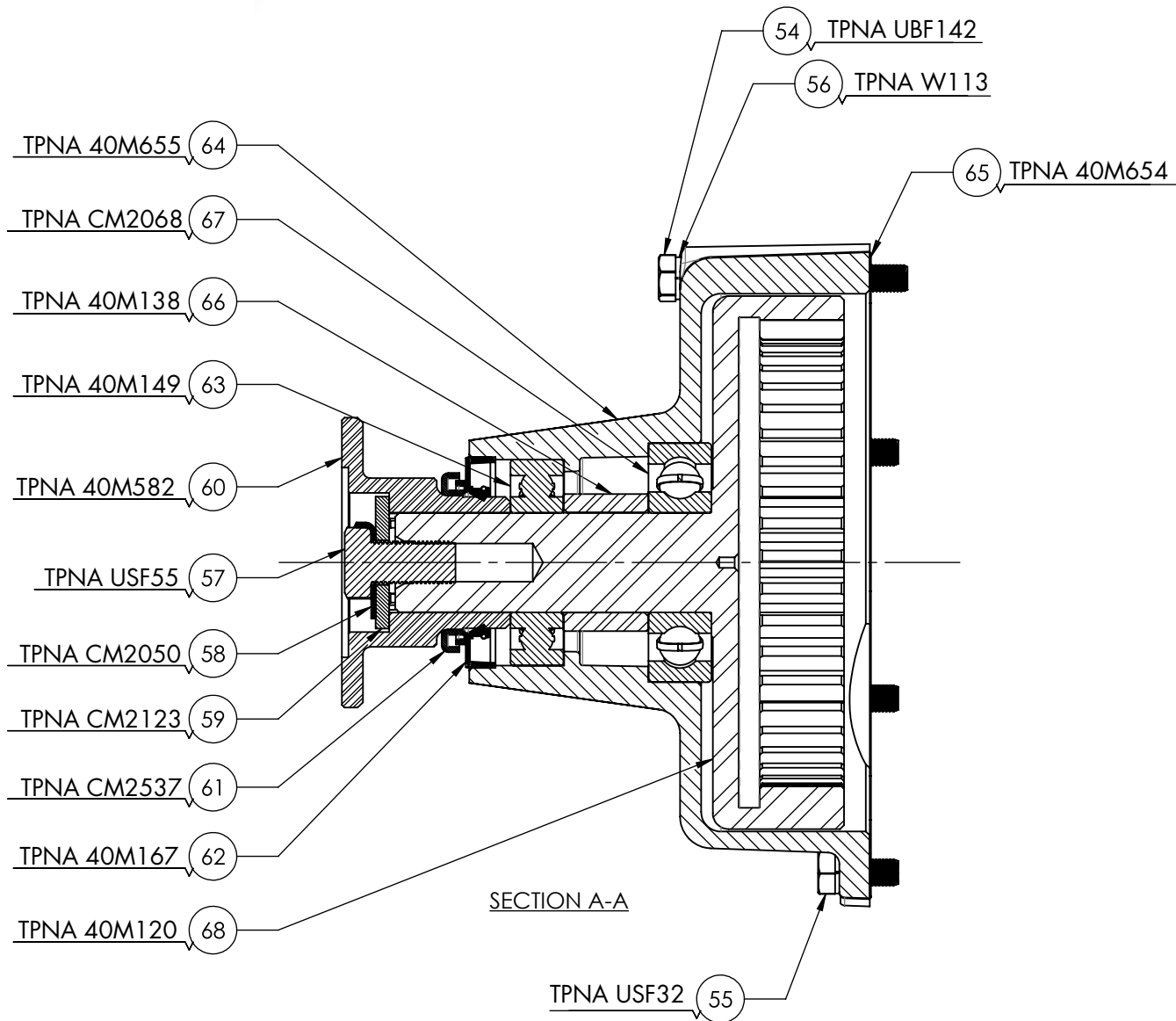


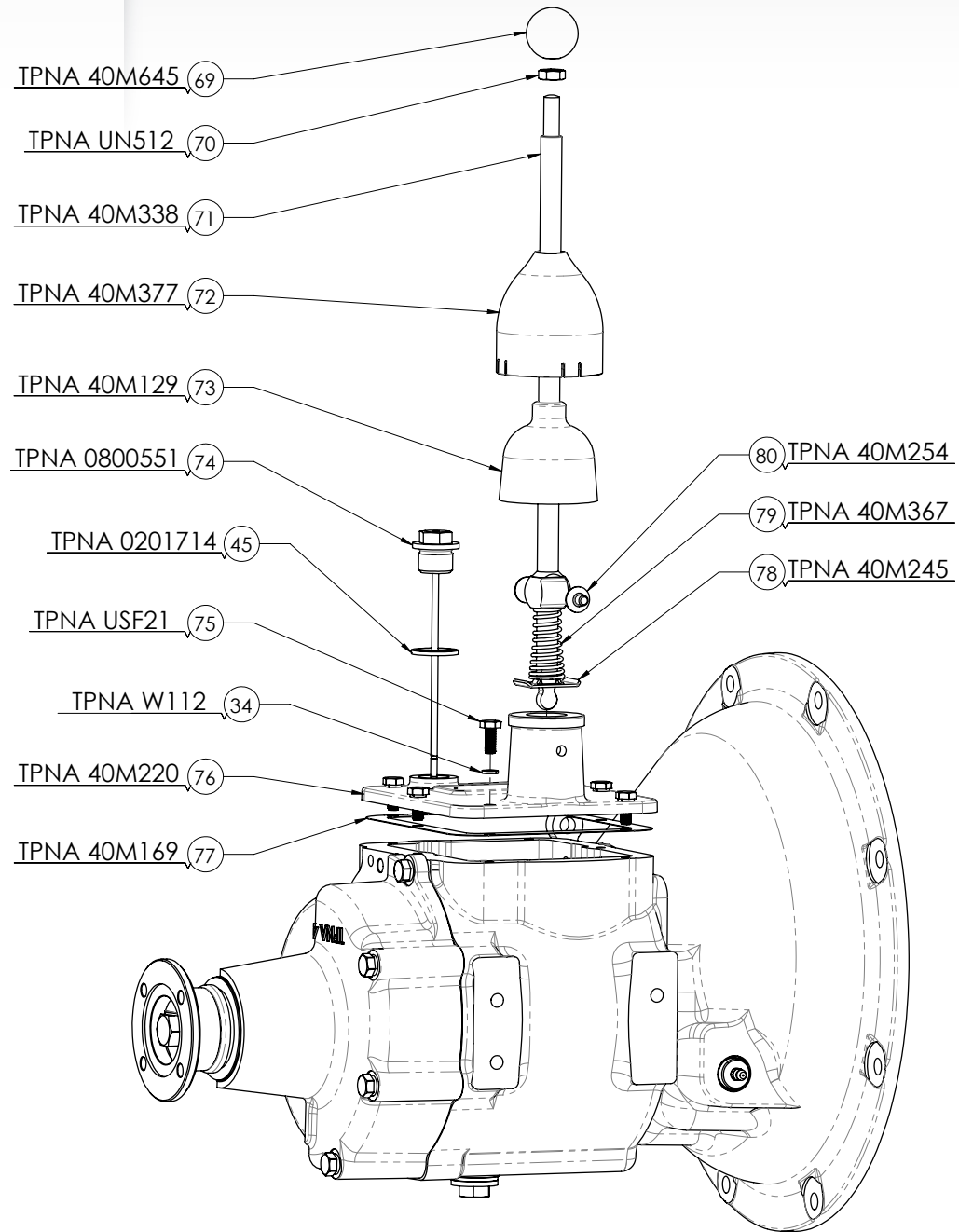


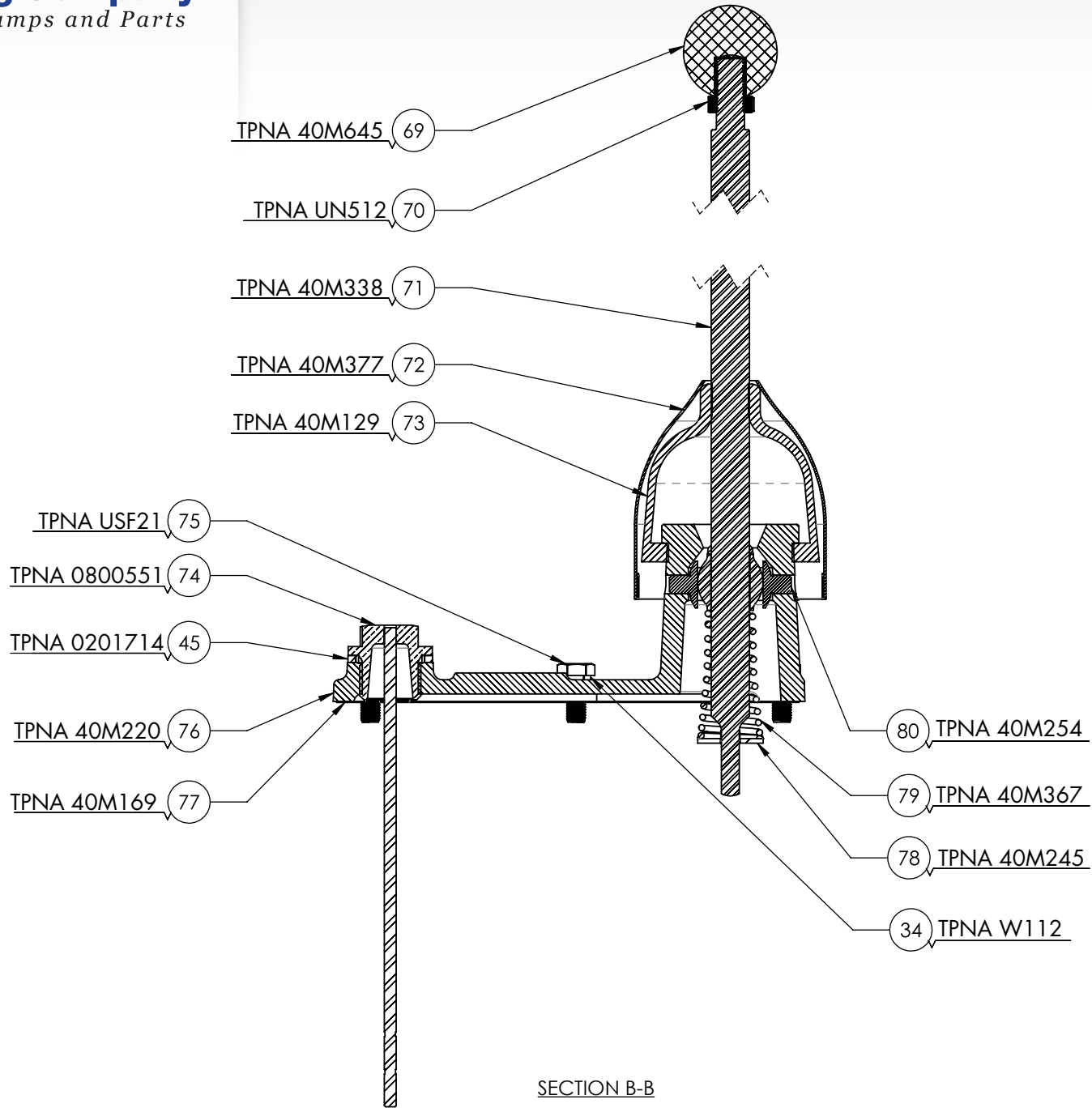


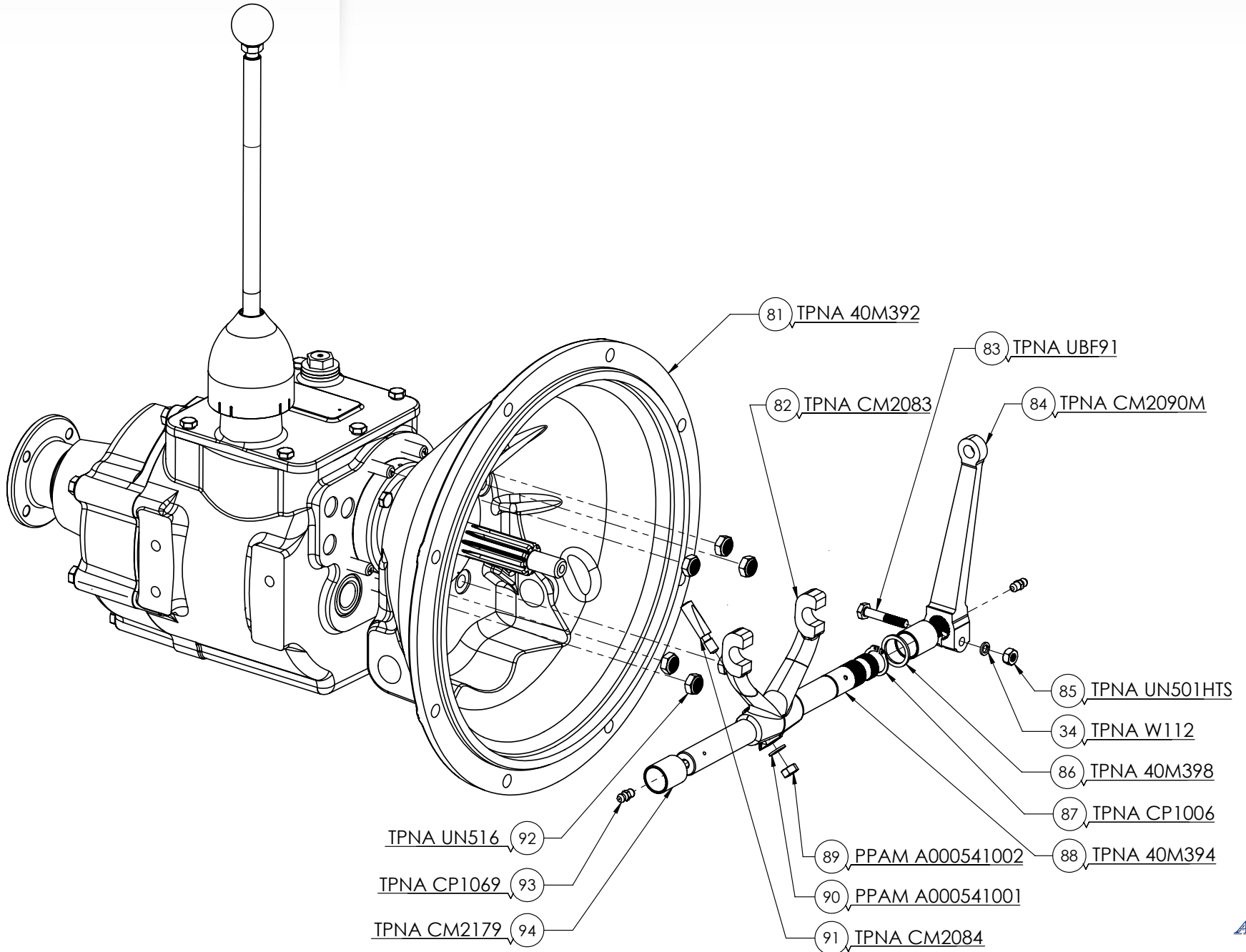


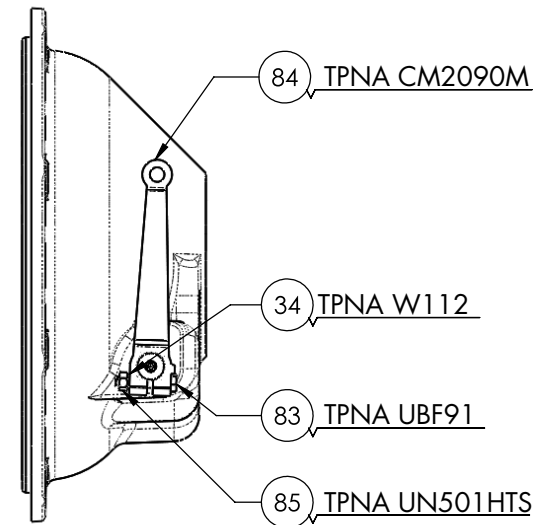
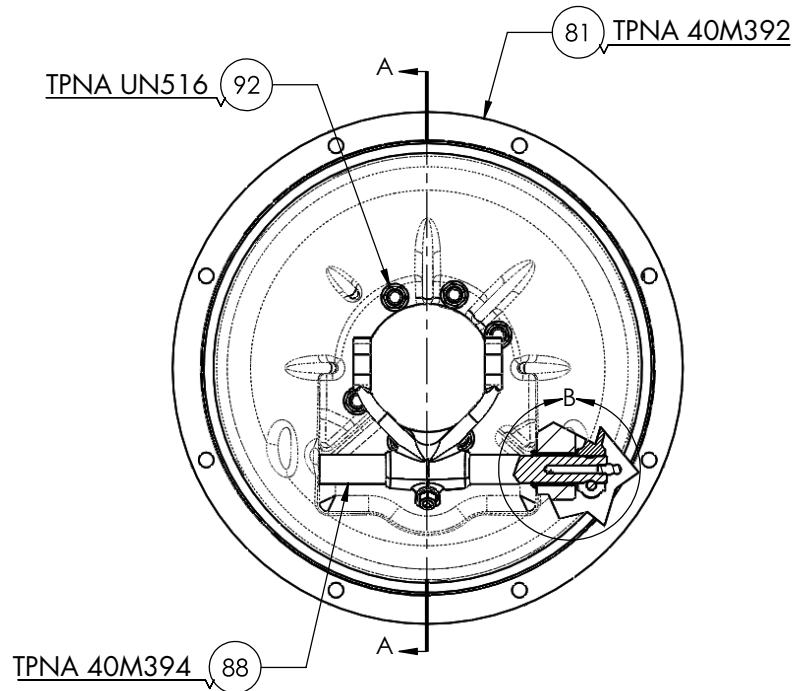
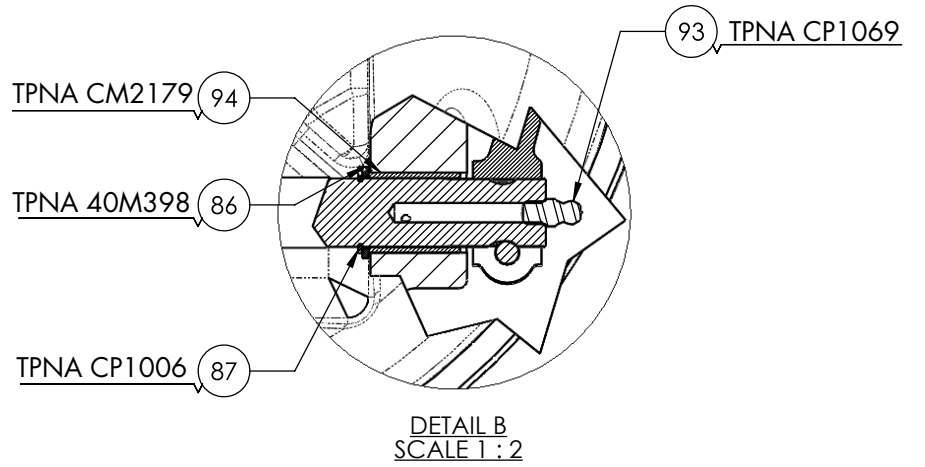
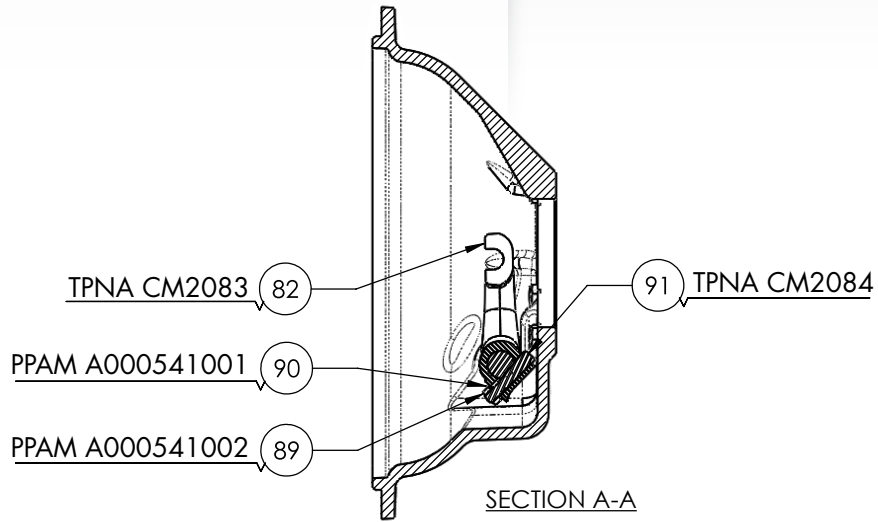












4 Speed Transmission - SAE 5 Component Item Numbers

Item #	Component Description	Part #	Qty	Item #	Component Description	Part #	Qty	Item #	Component Description	Part #	Qty
1	Bolt	TPNA UBF71	4	24	Bolt	TPNA USF53	1	47	Bearing	TPNA 0562512	1
2	Oil Seal	TPNA 40M150	1	25	Selector Fork, Top	TPNA 40M502	1	48	Welch Plug	TPNA CM2113	3
3	Front Cover	TPNA 40M126	1	26	Pin, Clevis	TPNA 40M232	2	49	Selector Shaft	TPNA 40M135	2
4	Stud	TPNA 40M177	6	27	Pin, Split	TPNA 40M244	2	50	Selector Locking Strip	TPNA 40M136	1
5	Gasket	TPNA 40M172	1	28	Interlock Stud	TPNA 40M231	2	51	Screw	TPNA 40M720	1
6	Circlip	TPNA CM2053	1	29	Interlock Plate	TPNA 40M891	1	52	Interlock Plate, Assembly	TPNA 40M894	1
7	Spacer	TPNA 40M174	1	30	Dentent Ball	TPNA CP1077	2	53	Gearcase	TPNA 40M924M	1
8	Snap Ring	TPNA 40M252	1	31	Detent Spring	TPNA CM2103	2	54	Bolt	TPNA UBF142	4
9	Bearing	TPNA 40M143	1	32	Selector Fork, Bottom	TPNA 40M501	1	55	Bolt	TPNA USF32	4
10	Shaft, Input	TPNA 40M117	1	33	Bolt	TPNA USF31	2	56	Washer, Lock	TPNA W113	8
11	Bearing	TPNA 40M513	1	34	Washer, Split	TPNA W112	2	57	Bolt	TPNA USF55	1
12	Dowel Pin	TPNA 40M656	2	35	Clip	TPNA 40M299	2	58	Tab Washer	TPNA CM2050	1
13	Output Shaft	TPNA 40M515	1	36	Circlip	TPNA 0330200	1	59	Washer	TPNA CM2123	1
14	Gear, First Speed	TPNA 40M722	1	37	Bearing	TPNA 40M146	1	60	Coupling Output	TPNA 40M582	1
15	Gear, Second Speed	TPNA 40M113	1	38	Spacer	TPNA 40M130	1	61	Dust Sheild	TPNA CM2537	1
16	Gear, Output	TPNA 40M724	1	39	Gear, Second Speed	TPNA 40M114	1	62	Oil Seal	TPNA 40M167	1
17	Spacer	TPNA 40M725	1	40	Layshaft	TPNA 40M925	1	63	Bearing	TPNA 40M149	1
18	Bearing	TPNA CM2052	1	41	Gear, Second Speed	TPNA 40M116	1	64	Reduction Housing	TPNA 40M655	1
19	Bearing Retainer	TPNA 40M378	1	42	Gear, First Speed	TPNA 40M723	1	65	Gasket	TPNA 40M654	1
20	Bolt	TPNA USF11	2	43	Gear Reduction, First	TPNA 40M360	1	66	Spacer	TPNA 40M138	1
21	Gear, Reduction	TPNA 40M123	1	44	Machined, Drain Plug	TPNA CP1189	1	67	Bearing	TPNA CM2068	1
22	Spacer	TPNA 40M178	1	45	Washer, Sealing	TPNA 0201714	1	68	Annulus	TPNA 40M120	1
23	Tab Washer	TPNA 40M179	1	46	Circlip	TPNA 0330300	1	69	Gear Lever Knob	TPNA 40M645	1

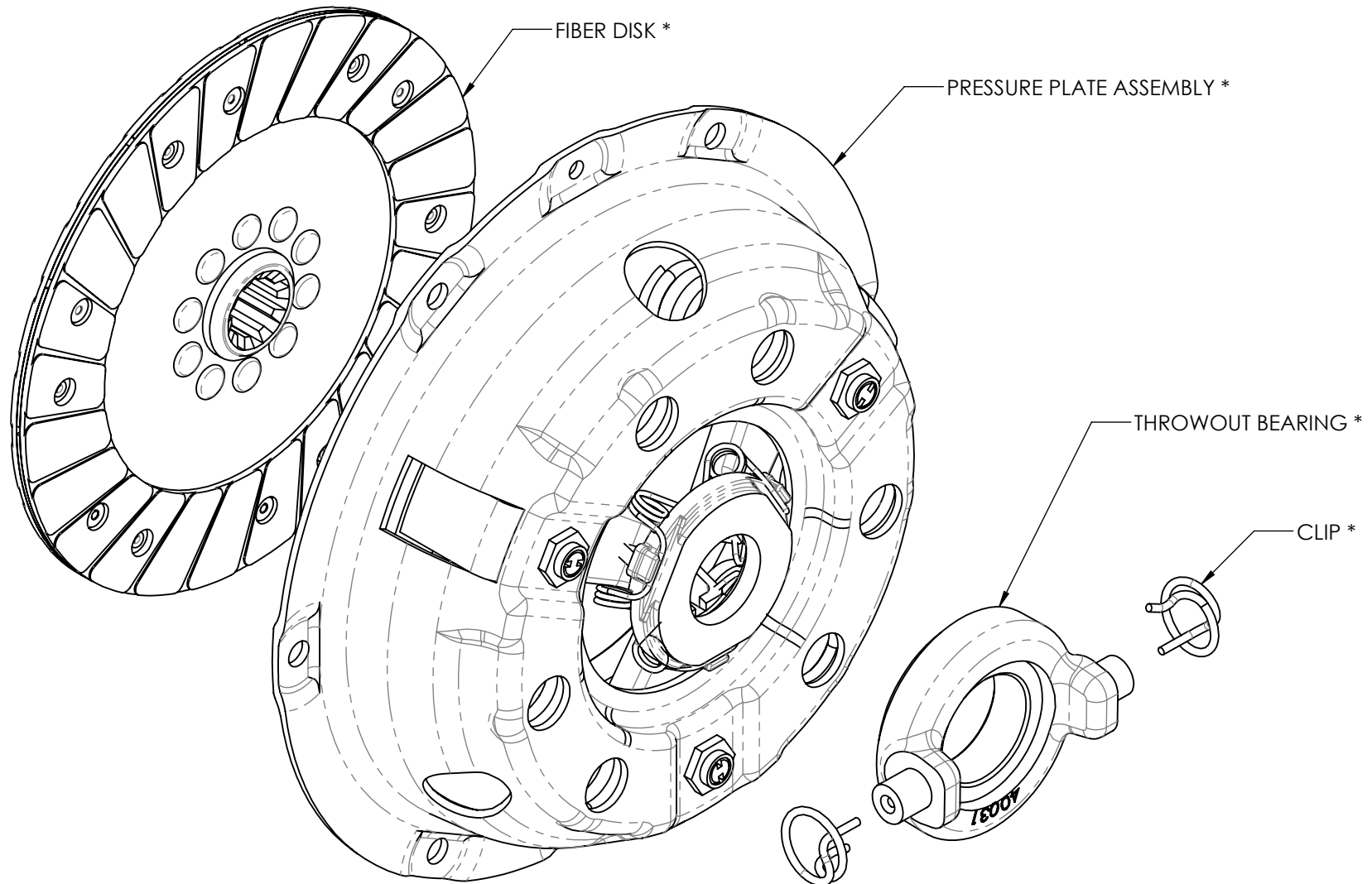
4 Speed Transmission - SAE 5 Component Item Numbers

Item #	Component Description	Part #	Qty
70	Nut	TPNA UN512	1
71	Gear Lever	TPNA 40M338	1
72	Protection Cover	TPNA 40M377	1
73	Cover	TPNA 40M129	1
74	Dipstick	TPNA 0800551	1
75	Bolt	TPNA USF21	6
76	Top Cover	TPNA 40M220	1
77	Gasket	TPNA 40M169	1
78	Plate, Retaining	TPNA 40M245	1

Item #	Component Description	Part #	Qty
79	Spring	TPNA 40M367	1
80	Pad, Gear Lever	TPNA 40M254	2
81	Clutch Housing	TPNA 40M392	1
82	Clutch Operating Fork	TPNA CM2083	1
83	Bolt	TPNA UBF91	1
84	Machined Clutch Operating Lever	TPNA CM2090M	1
85	Nut	TPNA UN501HTS	1
86	Washer	TPNA 40M398	1

Item #	Component Description	Part #	Qty
87	Circlip	TPNA CP1006	1
88	Shaft, Cross	TPNA 40M394	1
89	Nut	PPAM A000541002	1
90	Washer	PPAM A000541001	1
91	Pin	TPNA CM2084	1
92	Nut, Nylon	TPNA UN516	6
93	Nipple, Grease	TPNA CP1069	2
94	Bushing	TPNA CM2179	2

Clutch Components



*Sold separately. Not included with transmission. For reference only.