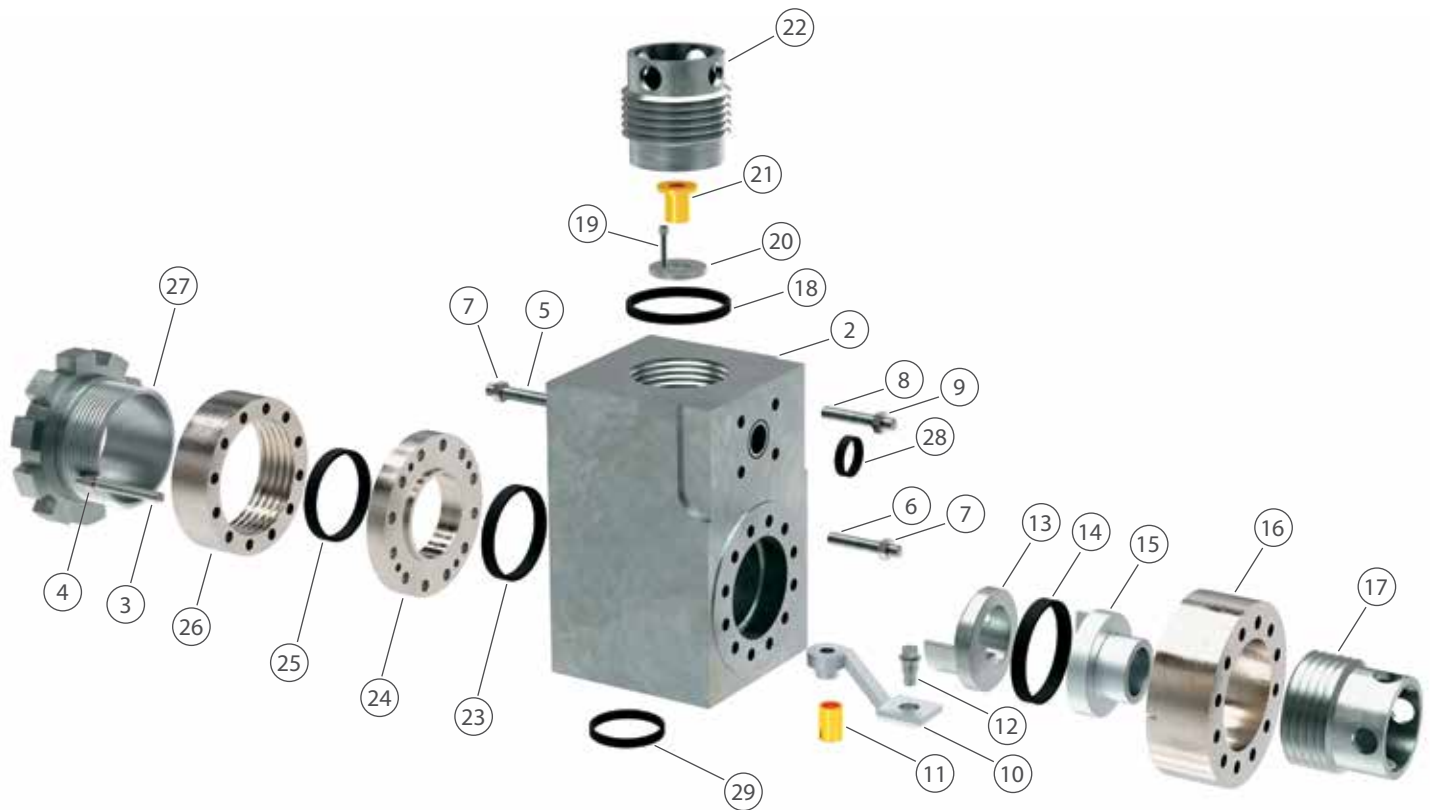


Emsco FB13/1600 Module Exploded View



ITEM	PART NUMBER	DESCRIPTION	QTY PER PUMP
1	PPES 6316-0357-00	FLUID END, STUDED FB1300/1600 (INCL 2-9)	3
2	PPES 6316-0356-00	FLUID END, FB1300/1600	3
3	PPES 7507-2013-00	STUD, MODULE TO LINER CLAMP	36
4	PPES 7601-0610-18	NUT, LINER CLAMP STUD	36
5	PPES 7507-2201-00	STUD, POWER FRAME	18
6	PPES 7507-2210-00	STUD, MODULE TO CYLINDER	30
7	PPES 7601-0630-17	NUT, MODULE TO CYLINDER STUD	48
8	PPES 7507-2108-00	STUD, MODULE TO DISCHARGE MANIFOLD	12
9	PPES 7601-0630-24	NUT, MODULE TO DISCHARGE MANIFOLD STUD	12
10	PPES 6316-0354-00	LOWER VALVE GUIDE AND BUSHING FB-1300/1600	3
11	PPES 6316-0096-00	VALVE GUIDE BUSHING, LOWER FB1300/1600	3
12	PPES 6316-0360-00	LOCK BOLT (VALVE GUIDE) FB1300/1600	3
13	PPES 6316-0363-00	ALIGNMENT RING, FB1300/1600	3
14	PPES 6316-0369-00	GASKET, CYLINDER HEAD/LINER SEAL	3
15	PPES 6316-0364-00	CYLINDER HEAD PLUG, FB1300/1600	3
16	PPES 6316-0361-00	CYLINDER HEAD RING, FB1300/1600	3
17	PPES 6316-0362-00	CAP, CYLINDER HEAD THREADED FB1300/1600	3
18	PPNO 07916741	GASKET, VALVE COVER FB1300/1600	3
19	PPES 7501-0051-00	RETAINER SCREW, FB1300/1600	12
20	PPES 6397-0603-00	VALVE GUIDE RETAINER, FB1300/1600	3
21	PPES 6397-0575-00	UPPER VALVE GUIDE, FB1300/1600	3
22	PPES 6316-0039-00	VALVE POT COVER, FB1300/1600	3
23	PPNO 07916800	GASKET, WEAR PLATE FB1300/1600	3
24	PPES 6316-0365-00	WEAR PLATE, FB1300/1600	3
25	PPNO 07916700	GASKET, LINER FB1300/1600	3
26	PPES 6316-0366-00	LINER THREADED RING, FB1300/1600	3
27	PPES 6316-0367-20	LINER LOCK, FB1300/1600	3
28	PPES 7602-1600-25	O-RING, DISCHARGE MANIFOLD FB1300/1600	3
29	PPES 7602-1600-61	O-RING, SUCTION MANIFOLD FB13/1600	3

American Mfg Company is in no way affiliated with the listed companies. References to companies names are for identification purposes only and are not Trade Marks or Trade Names used by or affiliated with American Mfg Company

Emsco FB-13/1600

	LINERS		PISTONS		REPLACEMENT RUBBERS
SIZE	BI-METALLIC	CERAMIC-ZIRC	RUBBER-SUPREME	URETHANE-GREEN DUO	RUBBER-SUPREME
5"	PPNO 05499500	PPNO 07499500	PPNO 012180253	PPNO 1502056	PPNO 015180185
5.1/2"	PPNO 05499550	PPNO 07499550	PPNO 012180337	PPNO 1502058	PPNO 015180227
6.0"	PPNO 05499600	PPNO 07499600	PPNO 012180394	PPNO 1502060	PPNO 015180268
6.1/2"	PPNO 05499650	PPNO 07499650	PPNO 012180535	PPNO 1502062	PPNO 015180300
<b>ALL LINERS USE PPNO 07916800 AS LINER GASKET</b>					
VALVES, SEATS, INSERTS AND SPRINGS				GASKETS	
	WEBBED-SUPREME STYLE	FULL OPEN STYLE	FULL OPEN HP STYLE		PART NUMBER
VALVE	PPNO 060155041	PPNO 9700250	PPNO 9700354	VALVE COVER GASKET CYL HEAD GASKET EXTENSION ROD SEAL WEAR PLATE GASKET	PPNO 07916741
SEAT	PPNO 061101507	PPNO 9702504	PPNO 9702504		PPES 6316-0369-00
INSERT-URETHANE	PPNO 062400338	PPNO 9705228	PPNO PFO71		PPES 7602-2131-47
SPRING	PPNO 055413397	PPNO 055213417	PPNO 055213417		PPNO 07916800
<b>PISTON RODS, EXTENSION RODS, CROSSHEAD</b>					
CLAMP-TYPE PISTON ROD		ROD CLAMP	CLAMP TYPE EXTENSION ROD		CROSSHEAD
PPES 6316-0359-00		PPNO PP601316	PPES 6316-0028-00		PPES 6316-0022-00
<b>VALVE OVER VALVE MISSION STYLE MODULE: PPES 6316-0357-00</b>					

American Mfg Company is in no way affiliated with the listed companies. References to companies names are for identification purposes only and are not Trade Marks or Trade Names used by or affiliated with American Mfg Company